

# System Foundation 500



## Foundation drain pipe for use in areas of ferrous soil (prone to ochre plugging)

New from IPEX is a 4" PVC BDS foundation drain pipe made from NQ 3624-130 certified pipe and drilled according to the NQ 3661-500 standard.

The pipe is designed to greatly reduce the risk of ochre deposits leading to pipe plugging installed in areas with soils having high ferrous content. This Ecolotube® pipe is an ECOLOGO™ certified product (UL 2778) for reduced environmental impact and made with 60% recycled material.

The Bureau de normalisation du Québec (BNQ) standard NQ 3661-500 is providing the housing industry a new standard method to assess areas for potential ferrous ochre development and a drainage system design to greatly reduce the risk of ochre plugging around foundation construction. This standard includes a hole pattern for perforated pipe as well as fixture requirements (use of chimneys etc.) for foundations in affected areas. The standard is divided into two sections. One for assessing ochre ferrous development and one for pipe design and installation to reduce the risk of plugging. Both sections go together. The BNQ is not yet requiring the usage of this standard but provides a standard method for those wishing to avoid a known issue in order to provide a better housing solution.

The NQ 3661-500 standard requires the correct orientation of the pipe. The print line indicates the top line of holes which is to be installed perpendicular to the ground. System Foundation 500 pipe is easily identified by a broad band of black ink along the print line.

### Product Code

003500

### UPC

622454453357

### I2of5

10622454453354

### Size

4"

### Product Description

System Foundation 500-PVC SDR35 Ochre-Resistant pipe 4"

### Crate Quantity

63

Product Code	Unit Weight	Unit Length	Unit Width	Unit Height	Crate Weight	Crate Length	Crate Width	Crate Height
003500	4.1 kg	305.0 cm	11.4 cm	11.4 cm	316.0 kg	323.0 cm	127.0 cm	65.0 cm
	9.0 lb	120.0"	4.5"	4.5"	696.0 lb	127.0"	50.0"	25.5"

### Regions where ferrous soils are known to occur:

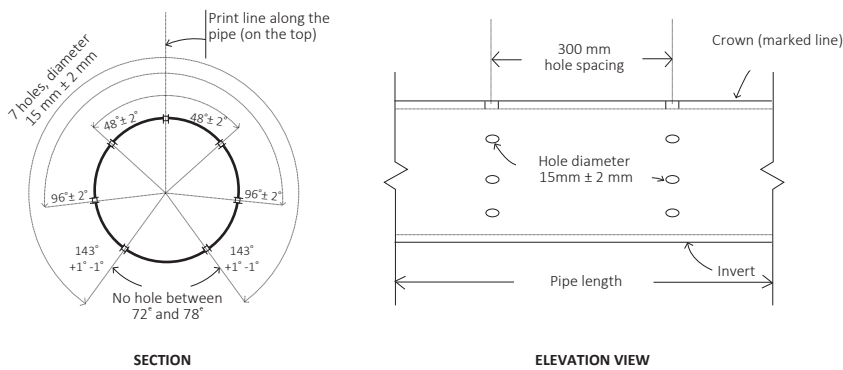
Bois-Francs	Lanaudière	Haute-Yamaska
Centre-du Québec	Mauricie	Montréal
Estrie	Montréal	

List provided by l'Association de la construction et l'habitations du Québec (APCHQ)



1425 North Service Road East, Unit 3  
Oakville, Ontario L6H 1A7  
Toll Free 800-463-9572 Fax 905-844-0826  
sales@ipexhomerite.com

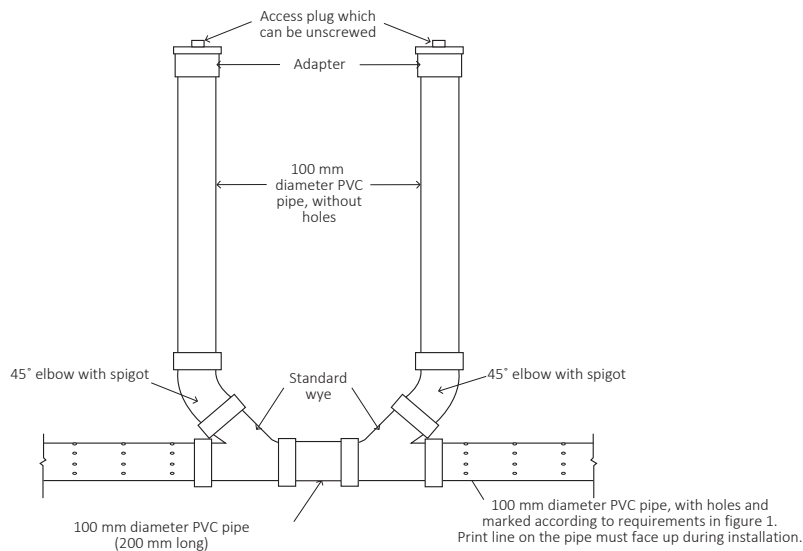
# STANDARD 3661-500/12 PIPE HOLE SPACING AND ORIENTATION – FIG. 1



**STANDARDIZATION NOTE -** The drilling pattern shown on elevation view is for guidance only but 7 holes shall be drilled every 300 mm of pipe length and a hole shall be drilled at each position shown on the section.

## TYPICAL DETAIL OF AN ACCESS AND CLEANING CHIMNEY

**NOTE -** With some soil conditions, when it's freezing, chimneys may raise due to movement with the soil. In these conditions, it is recommended to install a sleeve around these access and cleaning chimneys.



Pipe with 7-hole pattern installed along a footing with the print line facing upward.



Correct installation of chimney (solid PVC pipe) showing stand-off from the wall and placement of plastic barrier on top of the gravel - ready for back-fill.

## PIPING ASSEMBLY AROUND BUILDING CORNERS

