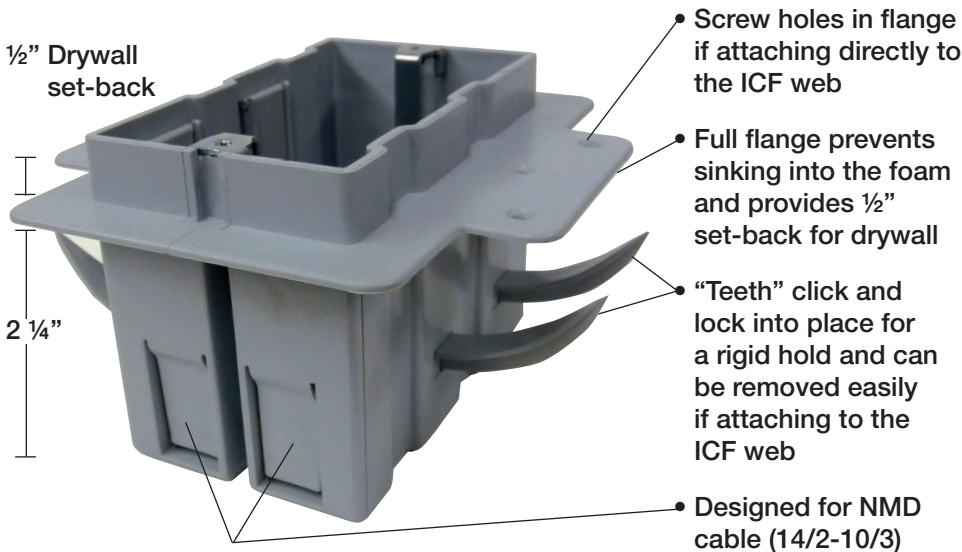




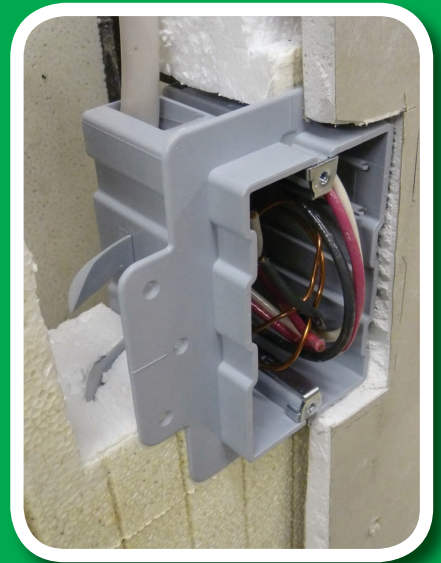
The best way to wire ICF buildings

ICF Indoor Electrical Boxes

The INEXO box offers significant benefits over traditional ICF wiring techniques:



- 1-gang 19 cubic inch capacity
- 2-gang 36 cubic inch capacity
- 3-gang 53 cubic inch capacity



1425 North Service Road East, Unit 3
 Oakville, Ontario L6H 1A7
 Toll Free: 800-463-9572 Fax: 905-844-0826
sales@ipexhomerite.com

Meets NEC requirements - CSA certified



Other Product Benefits:

- Installs after the pour
- Position boxes anywhere on the ICF wall
- No more “making do” with altered regular boxes

How it Works:

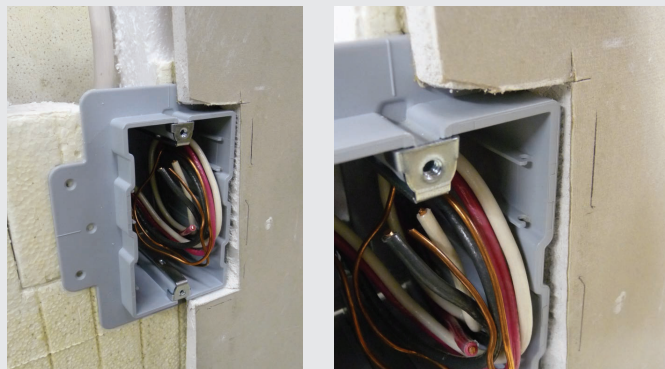
Once the concrete is poured and interior electrical work begins, INEXO boxes can be installed into the ICF walls.

If the box is installed between the ICF plastic webs, the “teeth” are pressed out to dig into the foam and click into position. If one side of the box is positioned against a web, the teeth can be removed on that side and screws attached to the web through the box flange.

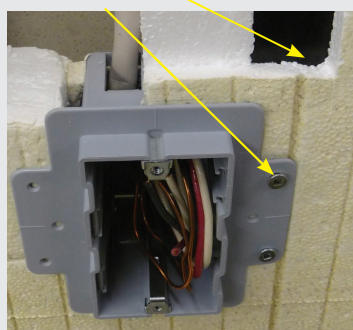
Teeth click and lock into place with twice the holding power required by the CSA standard.



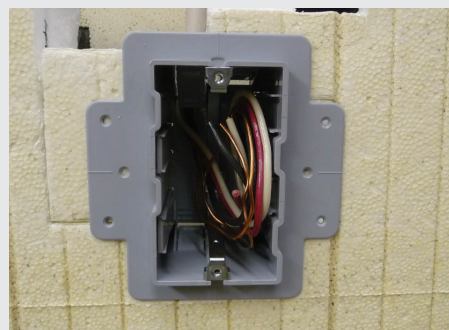
Box flange is designed to provide a 1/2" drywall set-back.



Flange can be fastened to the ICF web where needed.



Full flange prevents box from twisting and sinking into the foam



Product Code	Description	Carton Quantity
220020	Single Gang ICF Box	18
220021	Double Gang ICF Box	12
220022	Triple Gang ICF Box	8