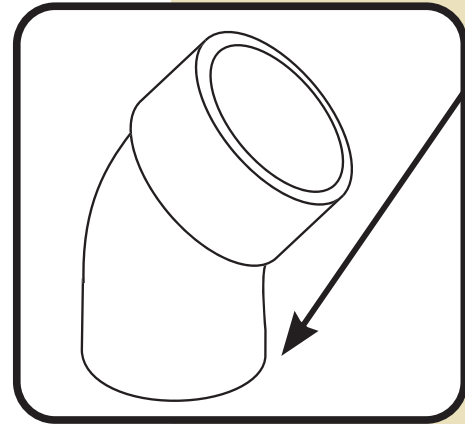
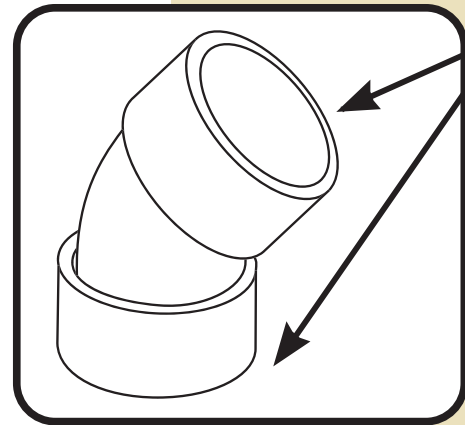


# Plumbing Terms



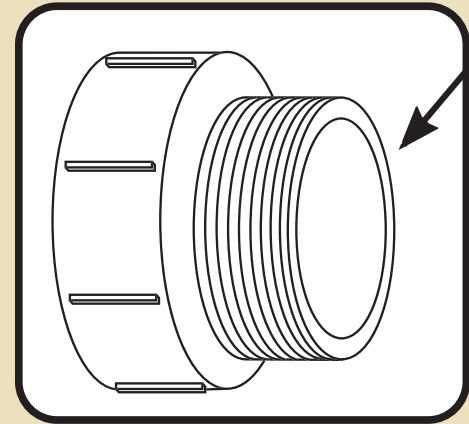
## Spigot or "Sp"

Term used to reference the end of the ABS or PVC fitting. A Spigot or "Sp" end will fit inside the Hub of a fitting.



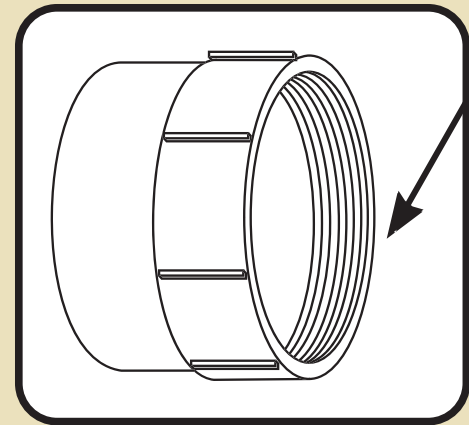
## Hub or "H"

Term used to reference the end of the ABS or PVC fitting. A Hub or "H" end will accept pipe or the spigot end of a fitting.



## MPT

Male Pipe Thread describes a thread on the outside of the fitting.



## FPT

Female Pipe Thread describes a thread inside a fitting.

## ABS-DWV

ABS-DWV pipe and fittings are used for **D**rain, **W**aste and **V**enting plumbing systems. They are used above ground and in the wall (not buried). **D**rain and **W**aste pipe and fittings are used for the disposal of used household water. **V**ent is the pipe which provides air to the plumbing system to increase the flow of the water.

## PVC-BDS

PVC-BDS pipe and fittings are used for **B**uilding, **D**rainage and **S**ewer plumbing systems. They are used below the ground (buried). **B**uilding **D**rainage are the pipes buried around the foundation of a home to collect rain water and move it into the sewer. **S**ewer pipes connect the ABS system to the municipal sewer system.

**Elbows have two terms to describe the radius of the bend in the elbow**

**Short:** a tight bend used when venting a plumbing system.

**Long or Street:** a gradual bend used in the drainage of a plumbing system.

Always refer to local plumbing codes.

[www.ipexhomerite.com](http://www.ipexhomerite.com)

