

Philmac[®]

STOCKPHIL

Livestock Tank Float Valve



Features and Benefits:

- Compact and robust design
- String float control prevents damage from livestock
- Ideal for tanks up to 330 US gal. (1500 L)
- For side, bottom, and overhead water supply inlets
- Easy above-water float connection and adjustment

Philmac[®]

STOCKPHIL

Livestock Tank Float Valve



IPEX expands its breadth of agricultural products with the Philmac[®] brand which the industry has come to trust because of its quality products delivering reliable and superior performance over the long haul.

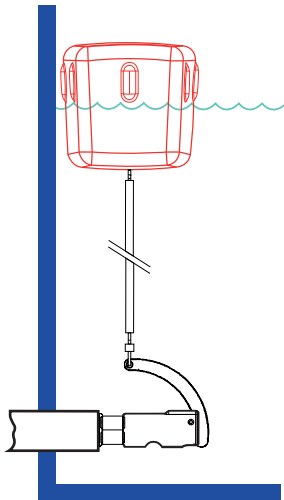
The Philmac[®] Livestock Tank Float Valve is now available to meet the high performance standard expected by the farming sector for controlling the water supply delivered to livestock drinking tanks.

This valve is usually installed through the side wall of a water tank just above its bottom surface. A string is connected from the float to the valve control arm. As livestock drink, the level of the water drops and causes the string to relax which opens the valve and lets more water into the tank until the float reaches the level set by the installer.

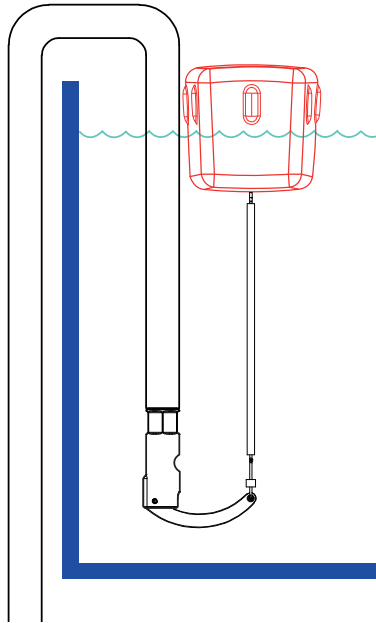


Tank Orientation

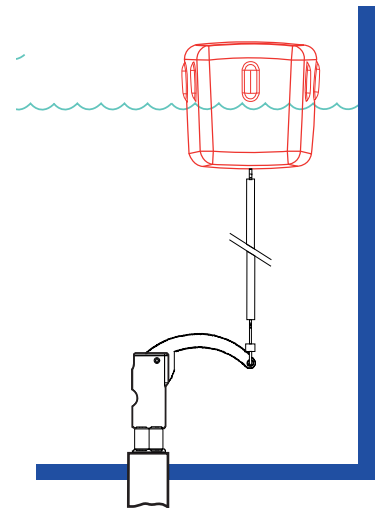
Side inlet



Overhead inlet



Bottom inlet



Quick and easy assembly in one of three tank inlet orientations

Multi-position Installation - valves have been designed to work in either a vertical or horizontal position to accommodate a variety of tank/valve orientations.

By connecting the float to the valve control arm using a string, livestock interference with the float has no effect on the operation of the valve so possible damage to the valve is greatly reduced.

The use of a tube over the string prevents it from wrapping around the tank float valve when the water level drops, thus ensuring reliable operation of the valve regardless of the water level.

If the valve needs to be disassembled, it can easily be done by removing the lever pivot pin, lever, and plunger.



Philmac[®]

STOCKPHIL

Livestock Tank Float Valve

AVAILABLE IN SIZES ¾" to 1-¼" TO FIT MOST STOCK TANKS:

Flow Rates - US gpm - (L/Min) and Pressure					
Description	Part #	14 psi	29 psi	43 psi	58 psi
¾" Brass	358200	12 (48)	18 (69)	22 (85)	26 (98)
¾" Plastic	358201	17 (67)	25 (97)	31 (120)	-
1" Plastic	358202	19 (73)	27 (104)	33 (128)	-
1 ¼" Plastic	358203	29 (110)	42 (159)	52 (197)	-

Construction

- Manufactured with components having a high degree of corrosion resistance, ensuring longevity of the valve in harsh agricultural conditions.
- The plastic body and plunger are manufactured from engineering grade thermoplastic, providing a high level of wear, UV, and corrosion protection.
- The use of dezincification (DZR) brass makes it suitable for a wide range of water quality.
- Marine grade 316 stainless steel provides excellent corrosion resistance for the pivot pin and lever. The valve seat in the brass valve is made of stainless steel.



Components

- 1 – Plastic valve
- 2 – Brass valve
- 3 – MPT threads
- 4 – Lever
- 5 – Lever Pivot Pin
- 6 – String Tube
- 7 – String
- 8 – Float



ipexhomerite.com

HomeRite[®] Invader Office

6810 Invader Crescent, Mississauga, Ontario, Canada, L5T 2B6
PHONE: (905) 670-7676 / TOLL FREE: (866) 777-8023
Email: orders63@ipexna.com

HomeRite[®] St. Laurent Office

6665, chemin Saint-François, Saint-Laurent, Québec H4S 1B6
DIRECT: (514) 856-8204 / SANS FRAIS: (800) 363-4343
Email: orders50@ipexna.com

Philmac[®] is a registered trademark and used under license.
Made in Australia. Imported by IPEX INC. 3 Place du Commerce, Suite 101, Ile des Soeurs, Québec